

NEW
Network Sensor
CV-374A, CV-374B

TOKYO SOKUSHIN CO., LTD.

3-14-34, OUGI, ADACHI-KU.TOKYO.

TEL 03-3855-5911 FAX 03-3855-5921

URL <http://www.to-soku.co.jp>

Earthquake Observation and Health Monitoring

- All-in-one sensor recording large capacity waveform and LAN connection
- Observation of micro-tremor to strong motion by servo accelerometer
- Recording continuous data and trigger file in a CF card together
- Send seismic information such as maximum value, seismic intensity and predominant period, and waveform data
- Connect by single LAN cable including power and synchronization (CV-374B)



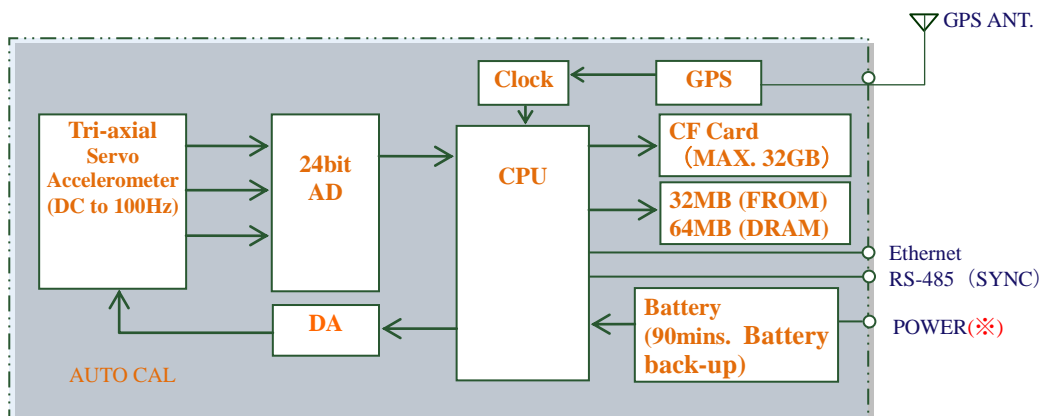
Built-in CF Card, GPS receiver

Continuous record

Dimension (built-in sensor)
 180mm×120mm×100mm
 * Photo. CV-374A

CV-374A : For general network line.
 (AC100V power supply is necessary to the main unit)

CV-374B : For exclusive network line by single LAN cable.
 (Power supply and various synchronizations from exclusive HUB)



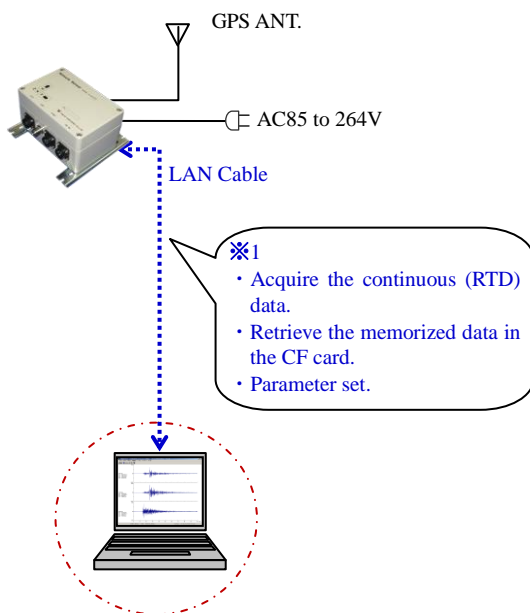
- (*) • CV-374A needs AC100V power supply.
- CV-374B is supplied from Exclusive HUB

Common Specifications CV-374A , CV-374B

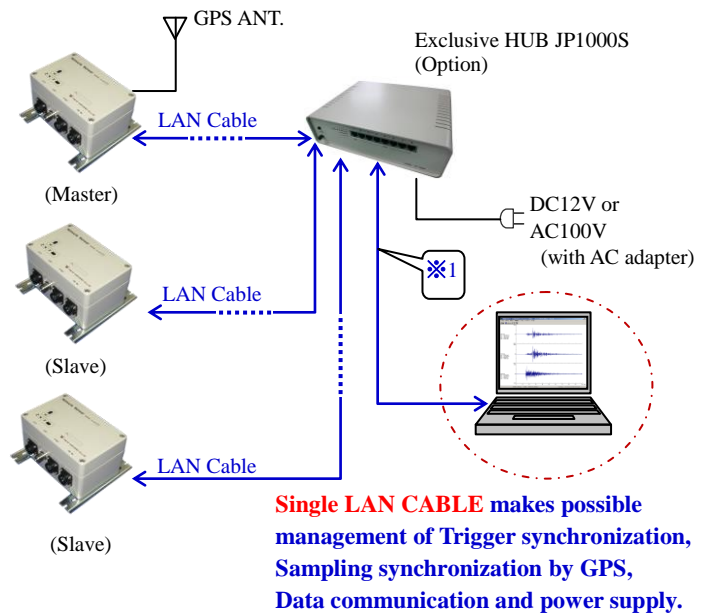
Analogue, A/D converter		Clock calibration	
Input	±4.0V, ±10.0V (Option)	Accuracy	< ±2.5ppm, -30°C to +75°C
Sampling	100, 200Hz	Clock synchronization	GPS or NTP server Slave unit can adjust by the transfer time code
AD converter	24bit	Clock accuracy	< ±0.62ppm(GPS)
Resolution	Less than 10mGalp-p (Sampling :100Hz / 2000Gal full scale)	Clock function	Year to Seconds Daily 0.1 second (no GPS, NTP)
Sensor (option: external sensor)		Master/Slave function	
Type	Servo Accelerometer	Time code	Hour, minute, seconds mark
Component	Tri-axial	Port	RS-485, Max. transmission 1km
Full scale	±2000Gal	Data interlock	Trigger data start / stop
Bandwidth	DC to 100Hz	Synchronization accuracy	Synchronized within 1msec. (When using exclusive HUB)
Calibration		Communication	
Frequency	1Hz	Ethernet	10base-T or 100base-TX (automatic change)
Waveform	Sine Wave (100Gal)	Port	1 port
		Protocol	telnet, ftp, TCP/IP socket
Data record		Power supply	
Trigger level	0.5 to 100Gal (0.1Gal step)	Input	AC100V (85 to 264V) / CV-374A Exclusive HUB / CV-374B
Trigger logic	OR, AND, 2AND	Power consumption	Max.3.6VA (GPS)
Pre trigger	1 to 300 sec.	Internal battery	Lithium battery 6.8V, 0.9A
Post trigger	10 to 300 sec.	Battery backup	Approx. 90 min.
Trigger data	Approx.160 hours (1 to 10 min./File)	Environment	
Continuous data	Approx. 480 days (10 min./File) (CF MEMORY 32GB)	Temperature	0°C to +50°C
Overwrite format	Delete the old data, overwrite the new data	Proof	IP65
Media	CF card, Max. 32GB FAT32 format	Dimension and Weight	
Wave format	WIN32 compliance	Case	Cast Aluminum
		Dimension	180mm (W) × 120mm (D) × 100mm (H)
		Weight	Approx. 1.5kg
		Connector	Water-proof connector

Example of Use

Single point (CV-374A)



Multi point (CV-374B)



The specification may change without notification because of the proved product.

TOKYO SOKUSHIN CO., LTD.

3-14-34, OUGI, ADACHI-KU.TOKYO.
TEL 03-3855-5911 FAX 03-3855-5921
URL <http://www.to-soku.co.jp>

Dated: Jan 2015