

**NEW**  
**Network Sensor**  
**CV-374AV, CV-374BV**

**TOKYO SOKUSHIN CO., LTD.**

3-14-34, OUGI, ADACHI-KU.TOKYO.

TEL 03-3855-5911 FAX 03-3855-5921

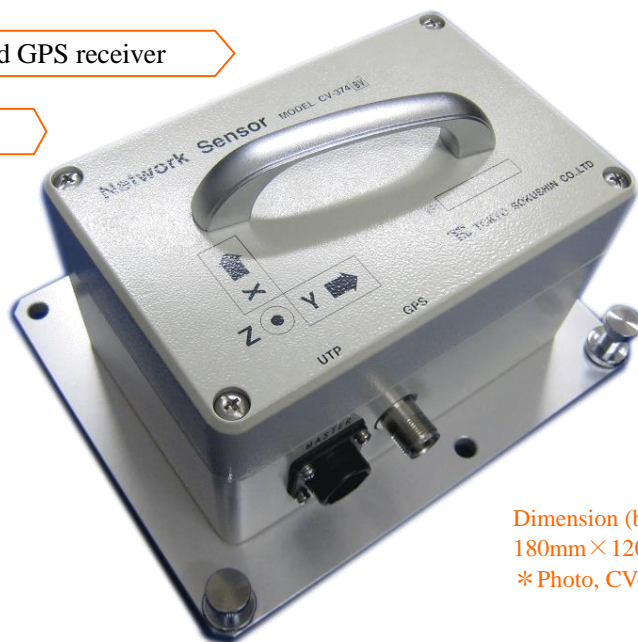
URL <http://www.to-soku.co.jp>

## Health Monitoring and Earthquake Observation by Servo Velocity-meter

- All-in-one sensor recording large capacity waveform and LAN connection
- Observation of micro-tremor and small earthquake by servo velocity-meter
- Response analysis of structure by micro-tremor
- Recording continuous record for approx. 30 days and trigger record for approx. 160 hours in a CF card
- Connect by single LAN cable including power and synchronization (CV-374BV)

Built-in CF Card and GPS receiver

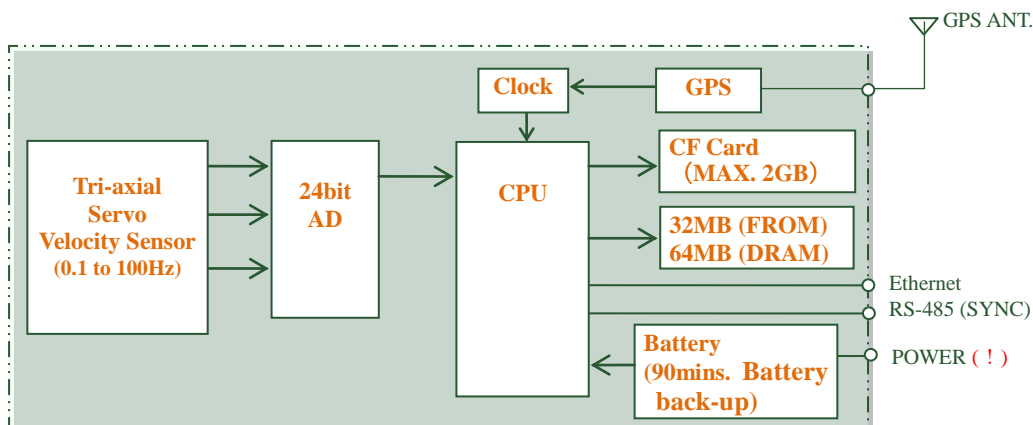
Continuous record



Dimension (built-in sensor)  
 180mm × 120mm × 100mm  
 \* Photo, CV-374BV

**CV-374A** : For general network line.  
 (DC12V power supply is necessary to the main unit)

**CV-374B** : For exclusive network line by single LAN cable.  
 (Power supply and various synchronizations from exclusive HUB)



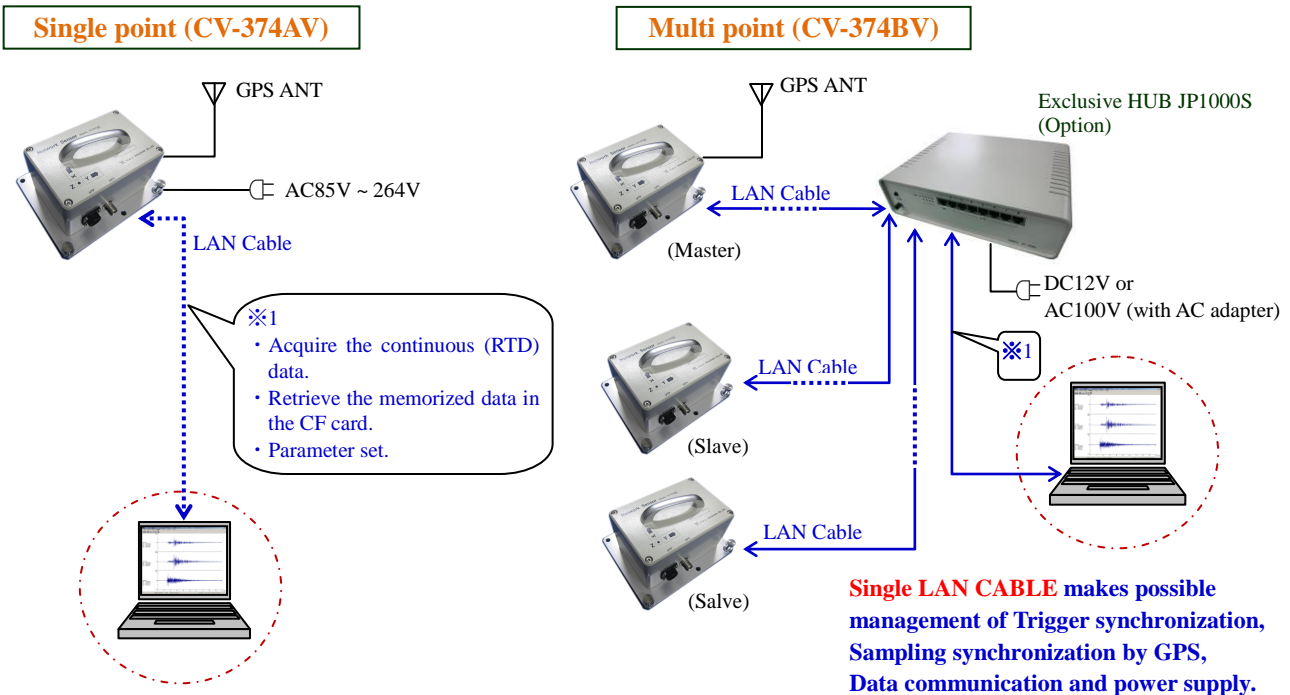
- (!) • CV-374AV needs DC12V power supply.
- CV-374BV is supplied from Exclusive HUB.

## Common Specifications CV-374AV, CV-374BV

Analogue, A/D converter		Clock calibration	
Input	±4.0V, ±10.0V (Option)	Accuracy	< ±2.5ppm, -30°C to +75°C
Sampling	100, 200Hz	Clock synchronization	GPS or NTP server Slave unit can adjust by the transfer time code
AD converter	24bit	Clock accuracy	< ±0.62ppm (GPS)
Resolution	0.25μm/s (25μkine) (Sampling :100Hz / full scale)	Clock function	Year to Seconds Daily 0.1 second (no GPS, NTP)
Sensor		Master/Slave function	
Type	Servo Velocity-meter (VSE-14C)	Time code	Hour, minute, seconds mark
Component	3 Tri-axial	Port	RS-485, Max. transmission 1km
Full scale	±0.02m/s (±2kine)	Data interlock	Trigger data start / stop
Bandwidth	0.1 to 100Hz	Synchronization accuracy	Synchronized within 1msec. (When using exclusive HUB)
Data record		Communication	
Trigger level	5μm/s to 1mm/s (0.5 to 100mkine)	Ethernet	10base-T or 100base-TX (automatic change)
Trigger logic	OR, AND, 2AND	Port	1 port
Pre trigger	1 to 300 sec.	Protocol	telnet, ftp, TCP/IP socket
Post trigger	10 to 300 sec.	Power supply	
Trigger data	Approx. 160 hours (1 to 10 min./File)	Input	DC12V (10V to 24V) / CV-374AV <sup>※2</sup> Exclusive HUB / CV-374BV
Continuous data	Approx. 480 days (10 min./File) (CF MEMORY 32GB)	Power consumption	Max.3.6VA (GPS)
Overwrite format	Delete the old data, overwrite the new data	Internal battery	Lithium battery 6.8V, 0.9A
Media	CF card, Max. 32GB FAT32 format	Battery backup	Approx. 90 min
Wave format	WIN32 compliance	Environment	
		Temperature	0°C to +50°C
		Proof	IP65
		Dimension and Weight	
		Case	Cast Aluminum
		Dimension	180mm (W) × 120mm (D) × 100mm (H)
		Weight	Approx. 1.5kg
		Connector	Water-proof connector

※2: Provided AC adaptor

## Example of Use



The specification may change without notification because of the proved product.